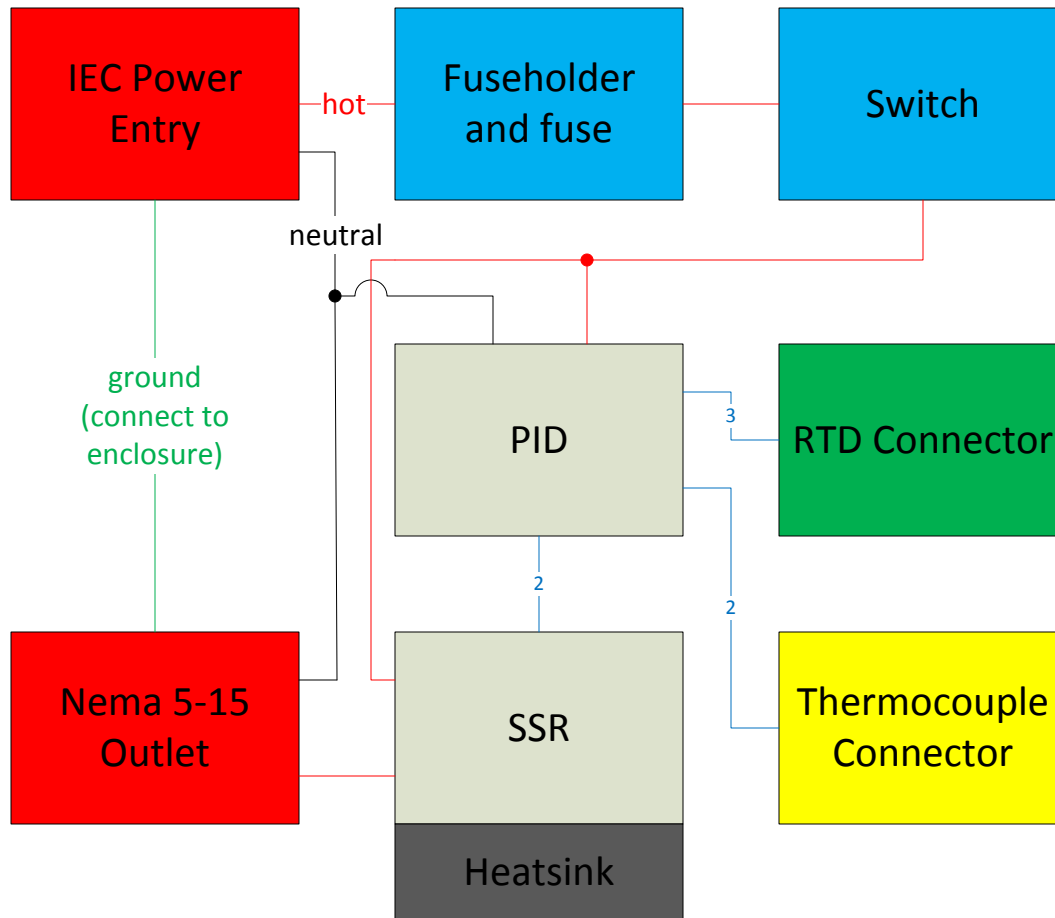


PID Control Box

Block Diagram



Parts List

Description	Mfr	Mfr p/n	Vendor	Vender p/n	Price (11/2011)
Universal 1/32 DIN PID Temperature Controller 40A SSR	Auber Instruments	SYL-1512A	Auber Instruments	SYL-1512A	\$36.95
External Mount Heat Sink for 40A SSR	Lide	RS1A40D40	Auber Instruments	RS1A40D40	\$19.00
Platinum RTD. PT100 (6 ft. cable)	Auber Instruments	PT100S	Auber Instruments	HS40ET	\$19.00
Panel mount connector for RTD sensor			Auber Instruments	PT100S	\$15.65
Panel mount connector for K thermocouple			Auber Instruments	RTDCON	\$3.65
K type thermocouple extension wire, 26 Ga.			Auber Instruments	TCCON	\$5.36
CONN AC RECEPT 3P PANEL MNTG			Auber Instruments	KX26GA	\$0.67
FUSEHOLDER 3AG PNL MNT STRAIT	Qualtek	703W-00/07	Digikey	Q335-ND	\$1.03
FUSE 250V SLO-BLO 3AB 12A CART	Littelfuse	03453LF2H	Digikey	F1488-ND	\$3.37
SWITCH ROCKER SPST 16A 125V	Littelfuse	0326012.HXP	Digikey	F2648-ND	\$1.82
OUTLET PWR NEMA 5-15R SNAP-IN/FO	C&K Components	DA102J12S215PQF	Digikey	401-1288-ND	\$1.24
BOX ALUM 5.72X4.77X2.22" UNPTD	Qualtek	738W-X2/03	Digikey	Q227-ND	\$1.22
MISC - wire, connectors, spades, rubber feet, etc.	Hammond	1590X	Digikey	HM427-ND	\$12.62

Total Cost **\$131.58**